

FL_STAGED STREET TREE SET

PROJECT: BRIDGEFIELD-STAGE 2
CLIENT: GOLDFIELDS
ISSUE: D-FOR COUNCIL ENDORSEMENT

DRAWING SCHEDULE:

DRAWING NO.	DRAWING TITLE	ISSUE
SST00	COVER PAGE	D-FOR COUNCIL ENDORSEMENT
SST01	STREET TREE PLAN	D
SST02	LANDSCAPE DETAILS	D
SST03	LANDSCAPE DETAILS	D



OVERALL PLAN
NOT TO SCALE

CITY OF MELTON
 ENGINEERING PLANS
 (LANDSCAPE)
APPROVED
[Signature] 30/04/2019
 CITY DESIGN DATE

APPROVED:

DATE:

DRAWING NOTES:

ISSUE	DATE	DESCRIPTION	INITIALS
A	11.10.18	FOR ELECTRICAL APPROVAL	MG
B	07.11.18	FOR COUNCIL SUBMISSION	MG
C	12.12.18	FOR COUNCIL APPROVAL	KML
D	19.03.19	FOR COUNCIL ENDORSEMENT	KML

PROJECT:
BRIDGEFIELD-STAGE 2

DRAWING NO.:
SST00

SCALE:
NTS

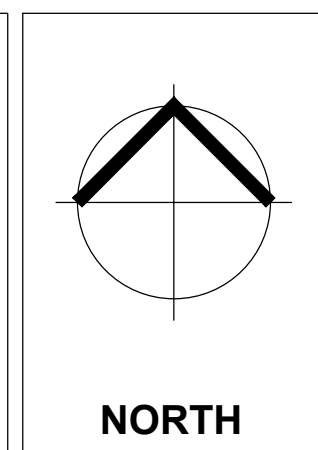
DRAWING TITLE:
COVER PAGE

ISSUE:
D-FOR COUNCIL ENDORSEMENT

DRAWN BY: KML **CHECKED BY:** LU

CLIENT:
GOLDFIELDS
BUILDING 5, 658 CHURCH STREET
RICHMOND VIC 3121

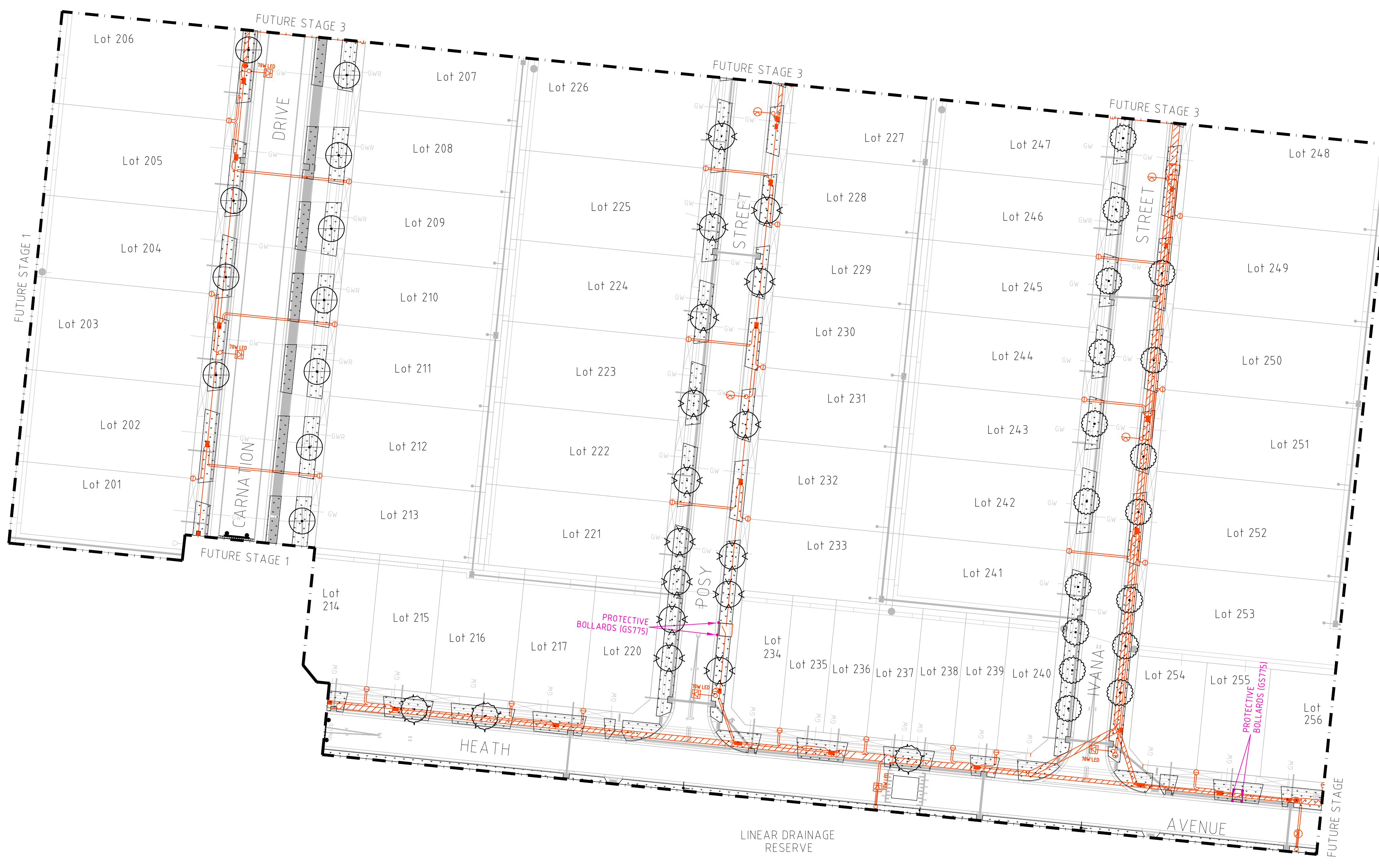
DRAFT
NOT FOR CONSTRUCTION



Fleming's Landscapes Pty Ltd
 PO BOX 21,
 MONBULK VIC 3783
 AUSTRALIA

P: (03) 9756 6105
 www.flemingslandscapes.com.au





- LEGEND-STREET TREES**
- GRASS SEEDING
APPROX. 2171 SQ.M
AS PER NATURE STRIP GRASSING MIX
- REFER TO BELOW NOTES
 - STAGE BOUNDARY
 - PROTECTIVE BOLLARDS
APPROX. 4 IN TOTAL
- REFER TO DETAIL ON SST03

- NOTES:**
1. NATURE STRIP GRASSING MIX SHALL BE:
KIKUYU 70%
RYE 15%
TALL FESCUE 15%
 2. TREES SHALL NOT BE PLANTED LESS THAN THE FOLLOWING DISTANCES FROM EXISTING ELEMENTS UNLESS OTHERWISE STATED IN THE DOCUMENTATION:

FOOTPATHS:	1.25M
DRIVEWAYS AND CROSSOVERS:	3.0M
STORMWATER AND SEWERAGE PITS:	2.0M
SERVICE CROSSINGS:	2.0M
INTERSECTIONS:	10.0M
KERB AND CHANNEL:	1.25M
STREET LIGHTS:	2.5M
FIRE PLUGS	3.0M
ADJOINING PROPERTIES AND COUNCIL BUILDINGS	5.0M (SMALL TREE ONLY)
 3. TREE LOCATIONS ARE TO BE CONFIRMED ON SITE BY COUNCIL PRIOR TO EXCAVATION AND INSTALLATION

MASTER PLANT SCHEDULE

TREES	CODE	BOTANICAL NAME	COMMON NAME	INSTALL HEIGHT	SIZE	CALIPER	QTY
	ULM par	ULMUS Parvifolia 'Todd'	Chinese Elm	2400mm	45L	30mm	15
	KOE pan	KOELREUTERIA Paniculata	Golden Rain Tree	2400mm	45L	30mm	3
	ANG cos	ANGOPHORA Costata	Smooth-Barked Apple	2400mm	45L	30mm	11
	PYR cal	PYRUS Calleryana 'Chanticleer'	'Chanticleer Pear'	2400mm	45L	30mm	17

CITY OF MELTON
ENGINEERING PLANS
(LANDSCAPE)
APPROVED
[Signature] 30/04/2019
CITY DESIGN DATE

NOTE: Installation height and caliper quoted are consistent with cultivars specified. We welcome further discussion on AS and the interpretation of it

APPROVED:

DATE:

DRAWING NOTES:

ISSUE	DATE	DESCRIPTION	INITIALS
A	11.10.18	FOR ELECTRICAL APPROVAL	MG
B	07.11.18	FOR COUNCIL SUBMISSION	MG
C	12.12.18	FOR COUNCIL APPROVAL	KML
D	19.03.19	FOR COUNCIL ENDORSEMENT	KML

PROJECT:
BRIDGEFIELD-STAGE 2

DRAWING NO.:
SST01

SCALE:
1:500@A1 / 1:1000@A1

DRAWING TITLE:
STREET TREE PLAN

ISSUE:
D

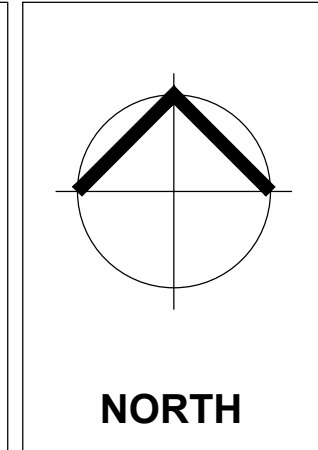
DRAWN BY:
KML

CHECKED BY:
LU

CLIENT:
GOLDFIELDS
BUILDING 5, 658 CHURCH STREET
RICHMOND VIC 3121

DRAFT

NOT FOR CONSTRUCTION

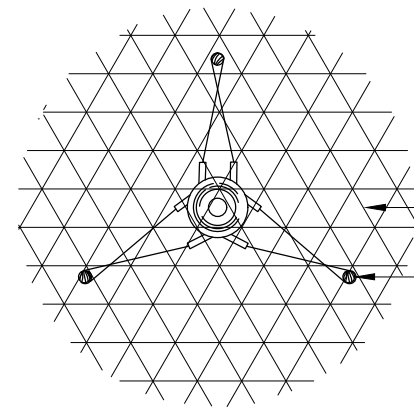


Fleming's Landscapes Pty Ltd

PO BOX 21,
MONBULK VIC 3783
AUSTRALIA

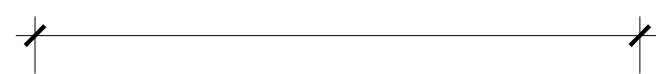
P: (03) 9756 6105
www.flemingslandscapes.com.au





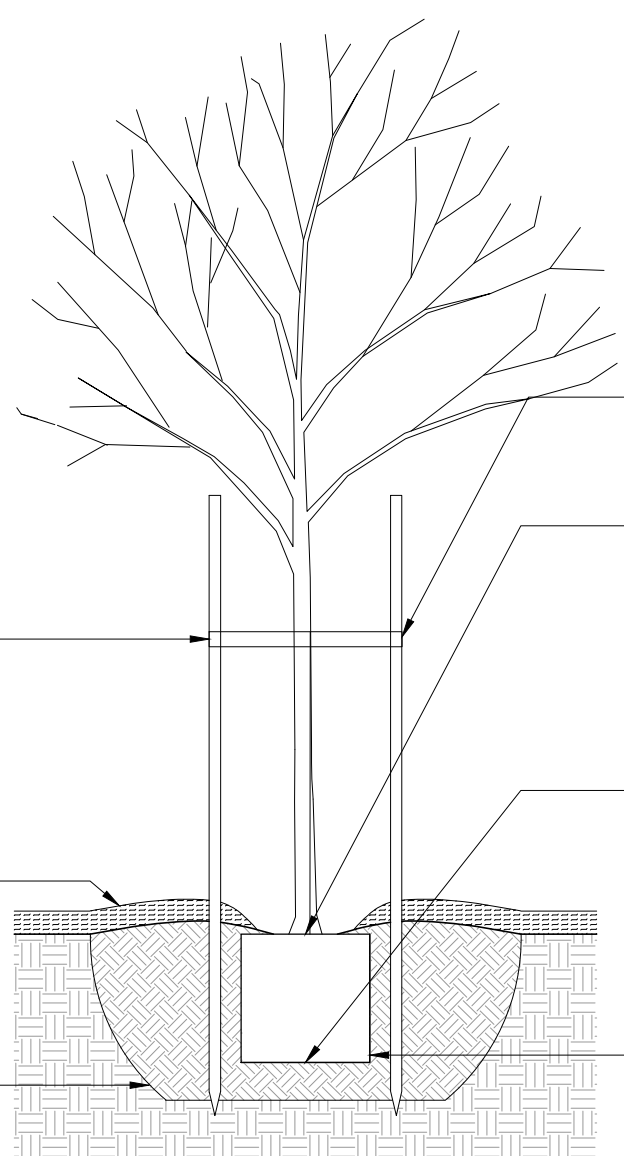
MULCH PROTECTION RING TO EACH ENTRY SPECIMEN
 TREE TO BE SECURED TO EACH STAKE WITH 3X NO. 50MM WIDE HESSIAN OR NYLON TIES WRAPPED AROUND THE TRUNK AND SECURED BACK TO STAKE WITH STAPLES OR NAILS ALLOWING SOME TRUNK MOVEMENT

TO PROMOTE LATERAL ROOT GROWTH THE PLANTING HOLE SHOULD BE NO LESS THAN 2 TIMES THE DIAMETER OF THE ROOT BALL



NOTES:

- TREES SHALL HAVE A WELL-DEVELOPED TAPER AND BE SELF-SUPPORTING IN BOTH BALL AND TRUNK
- EACH TREE MUST DEMONSTRATE A SINGLE CENTRAL LEADER WITH GOOD BRANCH STRUCTURE THROUGHOUT
- ALL TREES SHALL BE OF GOOD HEALTH AND VIGOR WITH NO PEST OR DISEASE PRESENT
- TREES SHALL SHOW NO SIGNS OF STRESS OR DAMAGE
- WATER IMMEDIATELY FOLLOWING PLANTING



50MM WIDE NYLON OR HESSIAN TIES FIXED AT STAKE, PLACED 300MM SPACING, NO GREATER THAN 1/2 TREE HEIGHT. TIES ARE TO BE LOOSE FIT AND ALLOW FOR SAFE MOVEMENT OF TREE CANOPY

MULCH AS SPECIFIED TO A MIN. DEPTH OF 150MM FROM EDGE OF THE ROOT BALL TO THE EDGE OF THE PLANTING PIT. KEEP MULCH AWAY FROM STEM AND DO NOT COVER ROOTBALL

BREAK UP SIDES AND BASE OF EXCAVATION TO 100MM

TREE STAKES TO BE SET VERTICALLY AND CLEAR OF ROOT BALL. STAKE TO BE 50MMX50MMX2.4M DRIVEN A MIN OF 800MM INTO GROUND

PLACE PLANT IN CENTRE OF HOLE AT GROUND LEVEL WITH ROOT BALL RESTING ON THE BASE OF THE HOLE BACKFILL HOLE WITH APPROVED SITE SOIL. ROOTBALL TO BE PROPERLY PREPARED PRIOR TO PLANTING. ENSURE NO ROOTS ARE PROTRUDING ABOVE THE FINISHED SURFACE

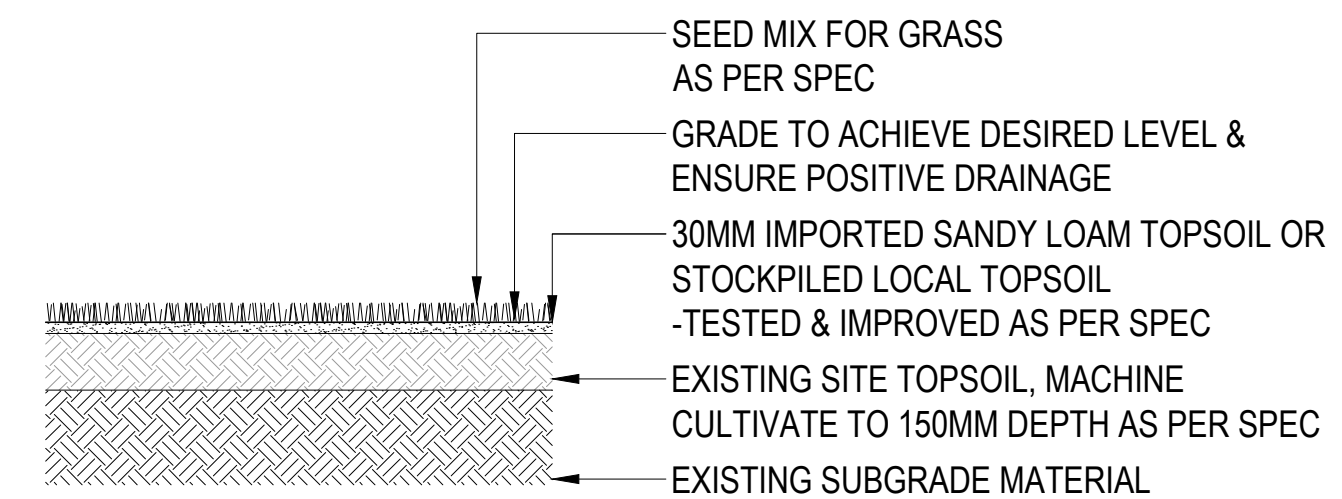
PLACE PLANT IN CENTRE OF HOLE AT GROUND LEVEL WITH ROOT BALL RESTING ON THE BASE OF THE HOLE BACKFILL HOLE WITH APPROVED SITE SOIL. ROOTBALL TO BE PROPERLY PREPARED PRIOR TO PLANTING. ENSURE NO ROOTS ARE PROTRUDING ABOVE THE FINISHED SURFACE

EXCAVATE PLANTING HOLE WITH SLOPING SIDES 2XTIMES THE DIAMETER OF THE ROOT BALL. DEPTH OF PLANTING HOLE TO BE ONLY SLIGHTLY BELOW THE DEPTH OF THE ROOT BALL. BREAK UP SIDES AND BASE OF EXCAVATION TO 100MM. TOP OF ROOT BALL IS FLUSH WITH FINISHED LEVEL OF PLANTING HOLE

A TREE PLANTING DETAIL
 002 1:50@A1

NOTES:

- TOPSOIL SHOULD BE FREE OF ROCK AND WEEDS
- NATURE STRIPS SHOULD BE AT 80% COVERAGE AND GERMINATION AT PC



SEED MIX FOR GRASS AS PER SPEC
 GRADE TO ACHIEVE DESIRED LEVEL & ENSURE POSITIVE DRAINAGE
 30MM IMPORTED SANDY LOAM TOPSOIL OR STOCKPILED LOCAL TOPSOIL -TESTED & IMPROVED AS PER SPEC
 EXISTING SITE TOPSOIL, MACHINE CULTIVATE TO 150MM DEPTH AS PER SPEC
 EXISTING SUBGRADE MATERIAL

B GRASS SEEDING DETAIL
 002 1:20@A1

CITY OF MELTON
 ENGINEERING PLANS
 (LANDSCAPE)
 APPROVED
 30/04/2019
 CITY DESIGN DATE

APPROVED:

DATE:

DRAWING NOTES:

ISSUE	DATE	DESCRIPTION	INITIALS
A	11.10.18	FOR ELECTRICAL APPROVAL	MG
B	07.11.18	FOR COUNCIL SUBMISSION	MG
C	12.12.18	FOR COUNCIL APPROVAL	KML
D	19.03.19	FOR COUNCIL ENDORSEMENT	KML

PROJECT:
 BRIDGEFIELD-STAGE 2

DRAWING NO.:
 SST02

SCALE:
 AS SHOWN

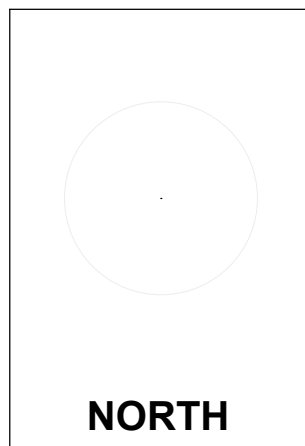
DRAWING TITLE:
 LANDSCAPE DETAILS

ISSUE:
 D

DRAWN BY: KML
CHECKED BY: LU

CLIENT:
 GOLDFIELDS
 BUILDING 5, 658 CHURCH STREET
 RICHMOND VIC 3121

DRAFT
 NOT FOR CONSTRUCTION

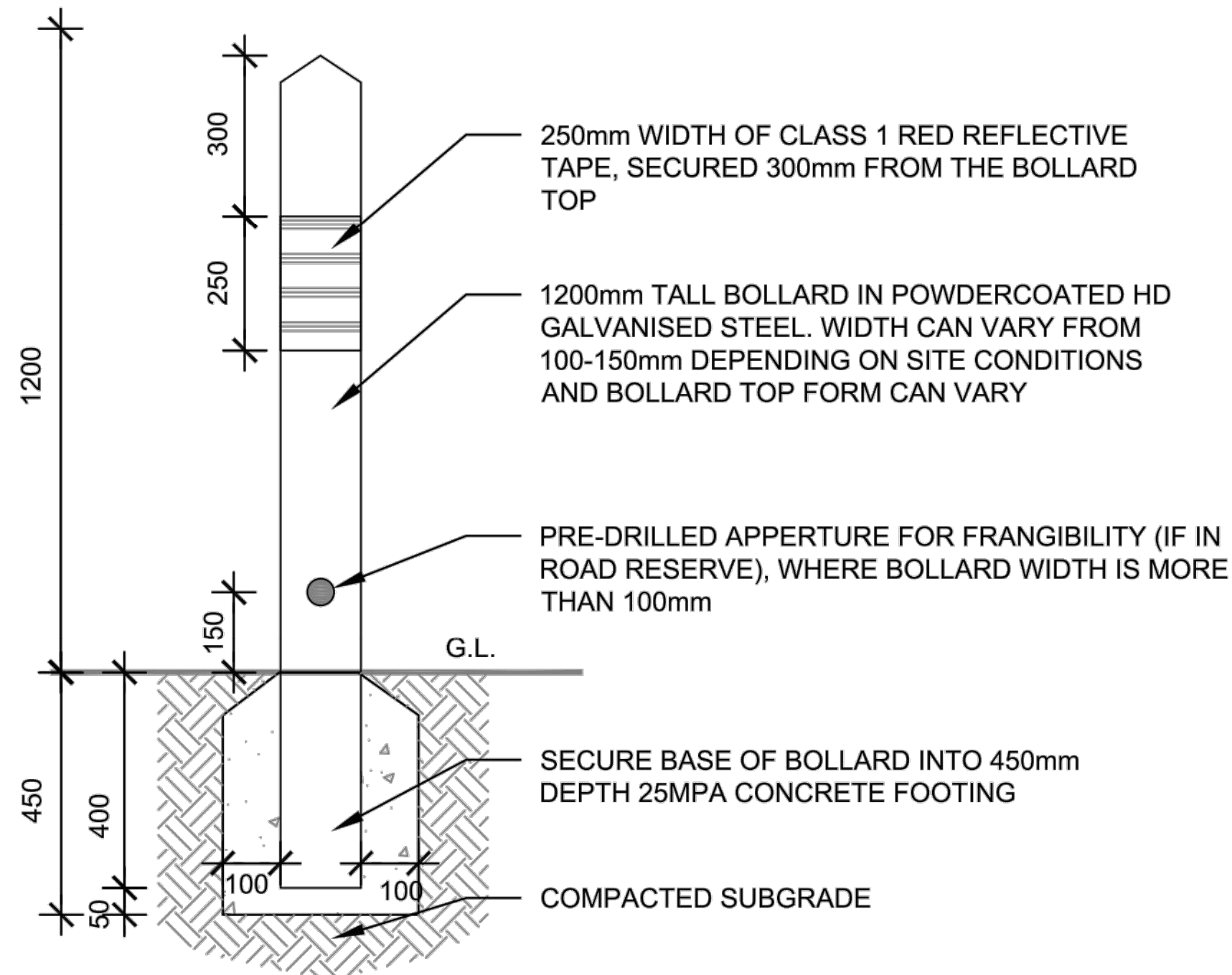


Fleming's Landscapes Pty Ltd
 PO BOX 21,
 MONBULK VIC 3783
 AUSTRALIA

P: (03) 9756 6105
 www.flemingslandscapes.com.au

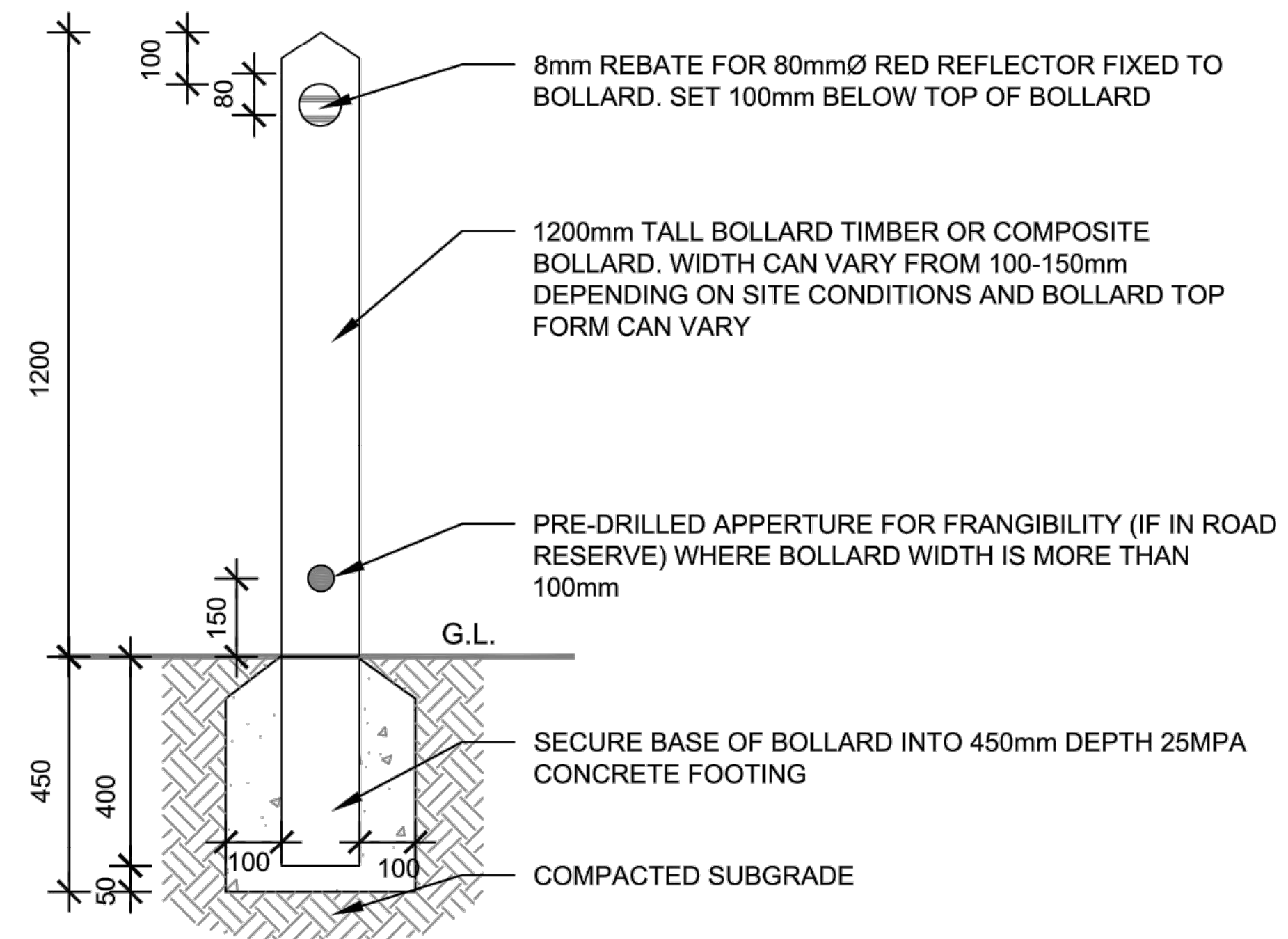


NOTES:
 REFLECTIVE TAPE OR RECESSED REFLECTIVE DISC ON A BOLLARD IS REQUIRED WHEN ADJACENT TO ROAD RESERVES, SHARED TRAILS OR CAR PARKS.
 STEEL BOLLARDS ARE TO BE FITTED WITH REFLECTIVE TAPE, TIMBER BOLLARD TO HAVE RECESSED REFLECTOR DISCS.
 WHERE TIMBER USED, IT MUST BE AFCS/FSC CERTIFIED.

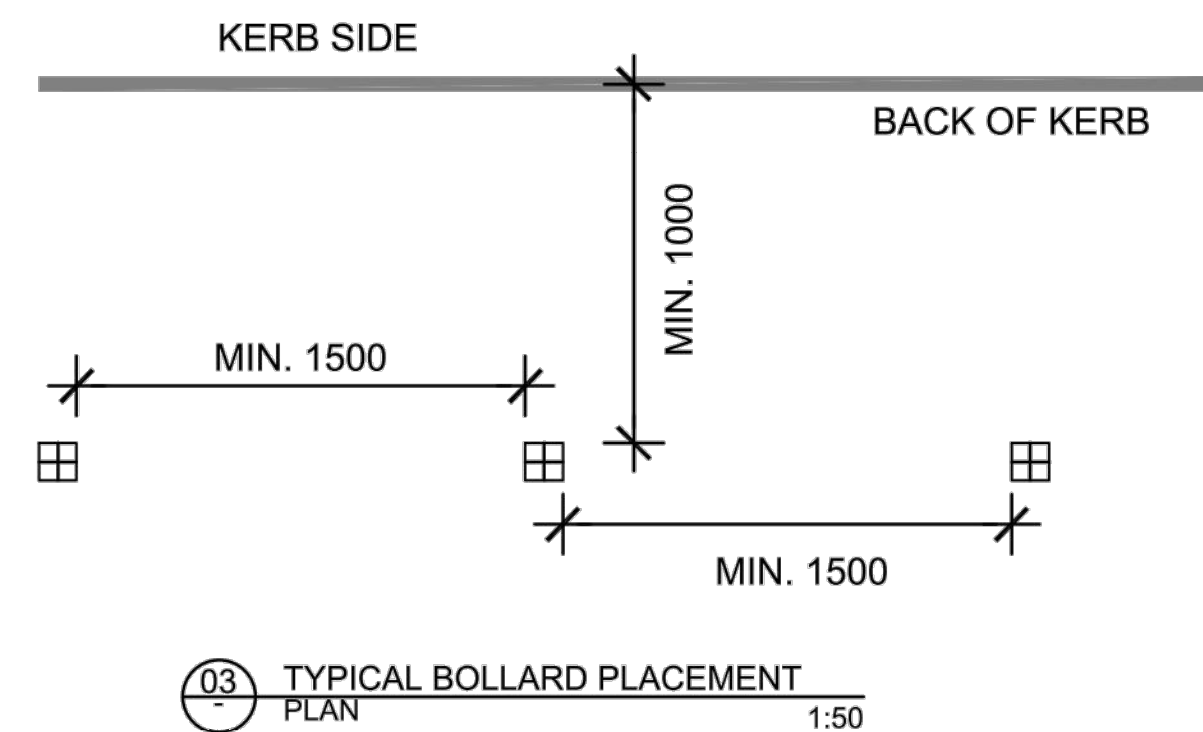


01 TYPICAL BOLLARD WITH REFLECTIVE TAPE
 CROSS SECTION 1:20

BOLLARD SPACING:
 TYPICALLY BOLLARDS MUST BE MIN. 1m OFFSET FROM BACK OF KERB AND SPACED AT 1.5m INTERVALS.
 WHERE SPACING INTERVAL IS SHORTER, 1.2m WIDE ACCESS MUST BE PROVIDED AT REGULAR INTERVALS FOR NON-VEHICULAR ACCESS.



02 TYPICAL BOLLARD WITH REFLECTIVE DISC
 CROSS SECTION 1:20



03 TYPICAL BOLLARD PLACEMENT
 PLAN 1:50

CITY OF MELTON
 ENGINEERING PLANS
 (LANDSCAPE)
 APPROVED
 30/04/2019
 CITY DESIGN DATE

APPROVED:

DATE:

DRAWING NOTES:			
ISSUE	DATE	DESCRIPTION	INITIALS
A	11.10.18	FOR ELECTRICAL APPROVAL	MG
B	07.11.18	FOR COUNCIL SUBMISSION	MG
C	12.12.18	FOR COUNCIL APPROVAL	KML
D	19.03.19	FOR COUNCIL ENDORSEMENT	KML

PROJECT:
 BRIDGEFIELD-STAGE 2

DRAWING NO.:
 SST03

SCALE:
 NTS

DRAWING TITLE:
 LANDSCAPE DETAILS

ISSUE:
 D

DRAWN BY:
 KML

CHECKED BY:
 LU

CLIENT:
 GOLDFIELDS
 BUILDING 5, 658 CHURCH STREET
 RICHMOND VIC 3121

DRAFT
 NOT FOR CONSTRUCTION

NORTH

Fleming's Landscapes Pty Ltd
 PO BOX 21,
 MONBULK VIC 3783
 AUSTRALIA

P: (03) 9756 6105
 www.flemingslandscapes.com.au

